




Battle Born Hub Datasheet

Model: Hub

Expands the Capabilities of Your Battle Born Smart Lithium Power System

The Battle Born Hub commissions all smart battery packs into a single system for both full system and single battery interpretation, monitoring, and diagnostics (patent pending). Please note, the Hub is only compatible with Battle Born Smart LiFePO₄ Deep Cycle Battery models, which are equipped with Dragonfly IntelliGence® smart communication technology. Look for the  icon on your battery to confirm compatibility.

Features

- Connects All Smart Batteries in System
- Receives Wireless Signal from Smart Batteries
- Increases Accessibility to Advanced Communication Features
- Enables Full Power System Monitoring
- Powerful Intermediary Tool for Accessories



Dragonfly IntelliGence® Smart Communication Technology

Dragonfly IntelliGence® is the proprietary communication technology inside Battle Born Smart LiFePO₄ Batteries and Smart Power System Accessories.

- Robust Wireless Mesh Network & Bluetooth® Connectivity
- Quick Setup & Easy Configuration via the Battle Born® Mobile App
- Compatible with RV-C, NMEA 2000 & More (Coming Soon)
- Hub Enables Remote Monitoring of Entire Smart Power System
- Alerts, Error Detection & Warning Notifications
- Boost Signal Range with Multiple Hub Devices



Battle Born® Mobile App
Available in the iOS App Store.



*Coming soon to Android devices.

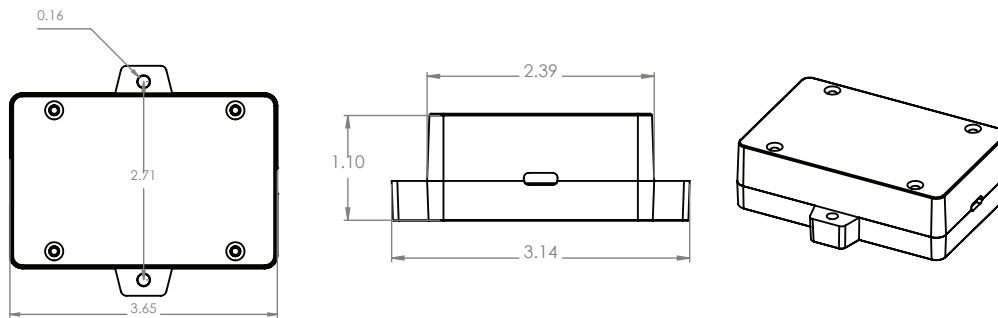


Hub Technical Specifications

Device Specifications

Dimensions	3.65" x 3.14" x 1.1" (w/ Mounting Points)
Weight	2.6 oz
Case	Polycarbonate / ABS Blend
Port	RJ45, USB-C
Power Draw (USB-C Port)	150mA
Power Draw (DC-DC Converter at 13.8V)	65mA
Power Draw (DC-DC Converter at 27.6V)	37mA
Bluetooth Range	~15m/50ft
Wireless Mesh Network Range (To Smart Battery)	~10m/32ft
Data Transmission Frequency	5 sec
Communication Protocols	Bluetooth RV-C (Coming Soon) Ethernet (Coming Soon) NMEA2000 (Coming Soon)
Listings	CE

Drawing Specifications



Contact Information:

📍 1190 Trademark Dr. Suite
108, Reno, NV 89521

☎ 855-292-2831
✉ info@battlebornbatteries.com

POWERED BY
dragonfly[®]
ENERGY