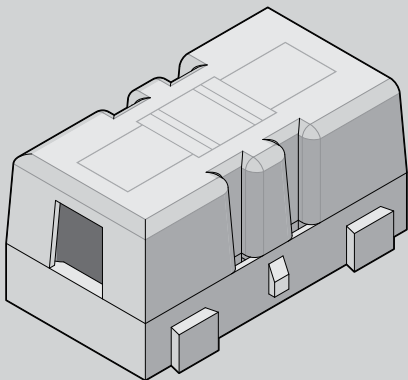
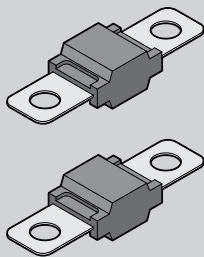


THE POWER OF

**REDARC**<sup>®</sup>

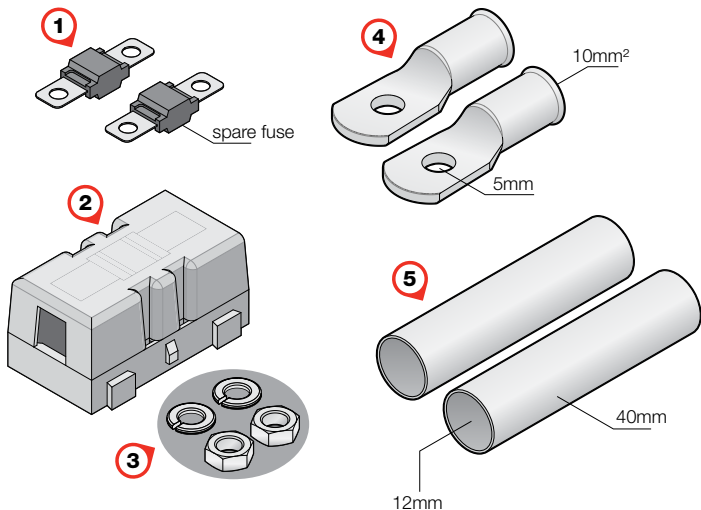
# 23A MIDI Fuse Kit

FK23



# 23A MIDI FUSE KIT

The FK23 is designed to provide for a simple, neat fuse installation for dual battery systems. The FK23 is perfect for the BCDC1212T start battery input connection.



## KIT CONTENTS

No.	Part	Quantity
1	23A MIDI Fuse	2
2	Fuse Holder	1
3	Nut and Spring Washer to suit Fuse Holder	2
4	Lug*	2
5	Heatshrink	2

\*The Lugs provided are intended for a 10mm<sup>2</sup> cable. If using a smaller cable gauge, insert with conductor foldback; if using larger cable gauge, source a larger lug.

## LIMITED WARRANTY

For full warranty terms and conditions, visit the  
Warranty page of the REDARC website.

[www.redarcelectronics.com/warranty](http://www.redarcelectronics.com/warranty)

### Australia, New Zealand & Europe

REDARC Electronics Pty Ltd  
23 Brodie Road (North),  
Lonsdale SA 5160  
Australia

<b>Australia</b>	+61 8 8322 4848
<b>New Zealand</b>	+64 9 222 1024
<b>UK &amp; Europe</b>	+44 (0)20 3930 8109

### North America

REDARC Corporation  
c/o Shallco, Inc.  
308 Component Dr.  
Smithfield, NC 27577  
USA

<b>USA</b>	+1 (704) 247 5150
<b>Canada</b>	+1 (604) 260 5512
<b>Mexico</b>	+52 (558) 526 2898

Design and specifications are subject to change without notice.

Copyright © 2022 REDARC Electronics Pty Ltd. All rights reserved.

REDARC® and THE POWER OF REDARC® are trademarks of  
REDARC Electronics Pty Ltd.

## LUG AND HEATSHRINK ASSEMBLY

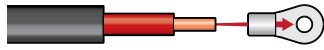
Strip the end of the cable back enough to ensure the insulation does not enter the barrel of the Lug when fully inserted.



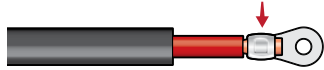
Slide the Heatshrink over the cable.



Insert the stripped wires into the barrel of the Lug.



Crimp the Lug using the correct crimping tool.



Slide the Heatshrink to partially cover the Lug, leaving the Lug tongue exposed.



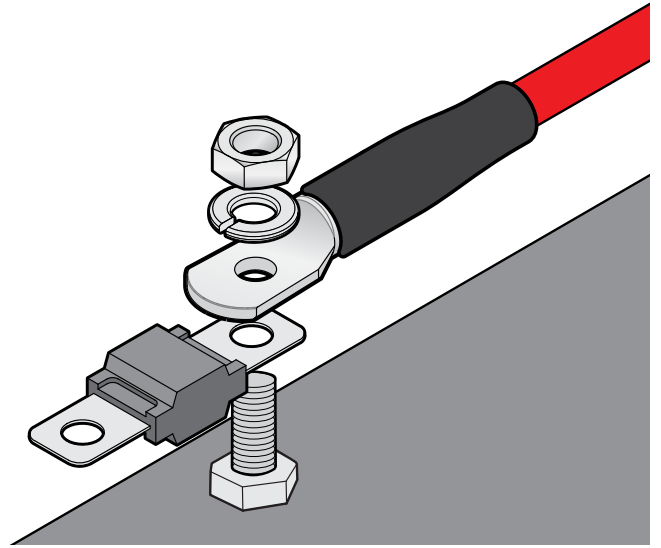
Shrink the Heatshrink.



## FUSE KIT ASSEMBLY

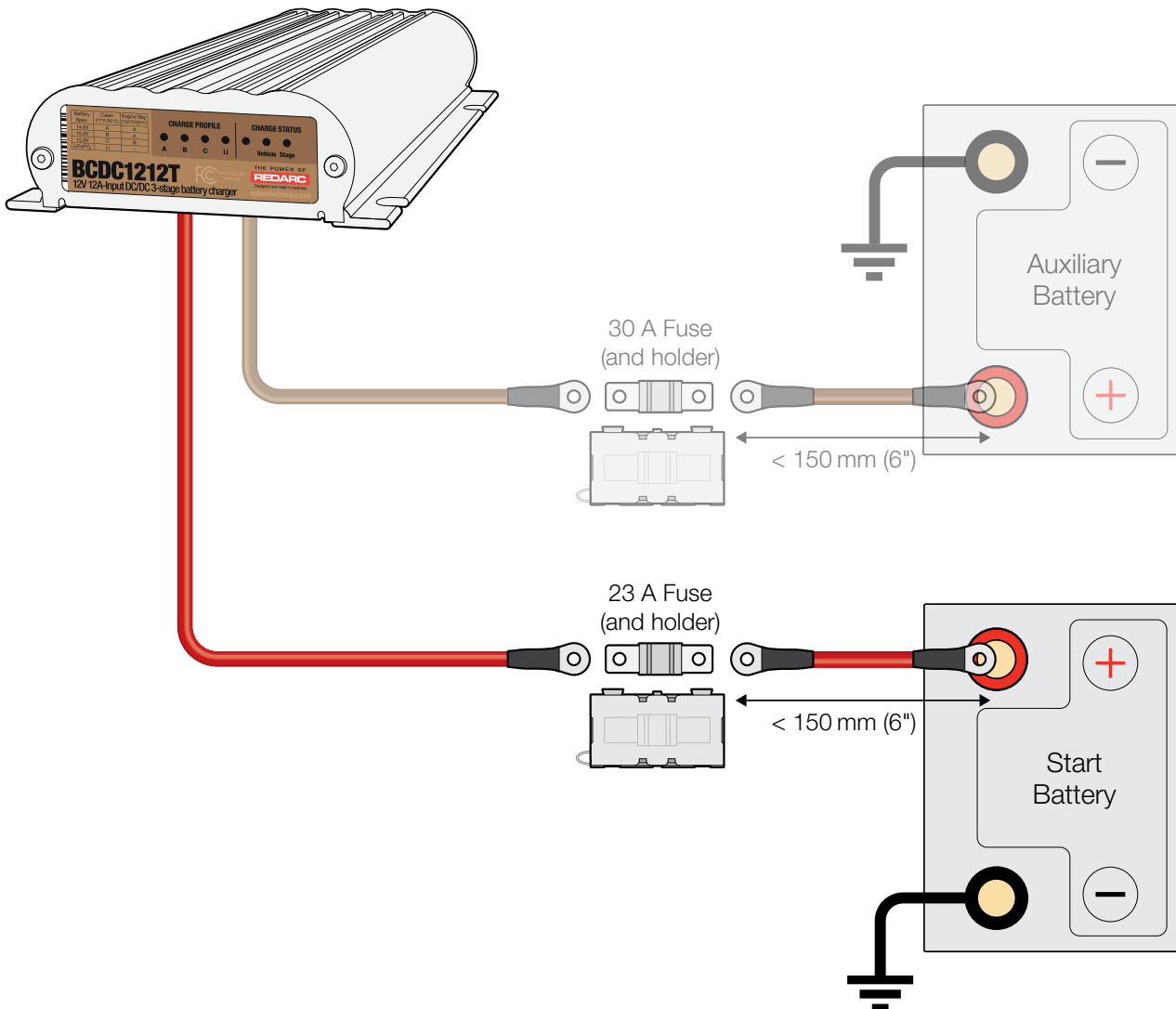
Order of installing Bolt in the Fuse Holder:

1. MIDI Fuse
2. Lug with Heatshrink and cable
3. Spring Washer
4. Nut



## BCDC1212T INSTALLATION

Start Battery Input Connection





## **CONTACT**

### **Tech Support**

1300 REDARC

### **Head Office**

+61 8 8322 4848

### **New Zealand**

+64 9 222 1024

### **UK & Europe**

+44 (0)20 3930 8109

### **USA**

+1 (704) 247 5150

### **Canada**

+1 (604) 260 5512

### **Mexico**

+52 (558) 526-2898

**[redarcelectronics.com](http://redarcelectronics.com)**