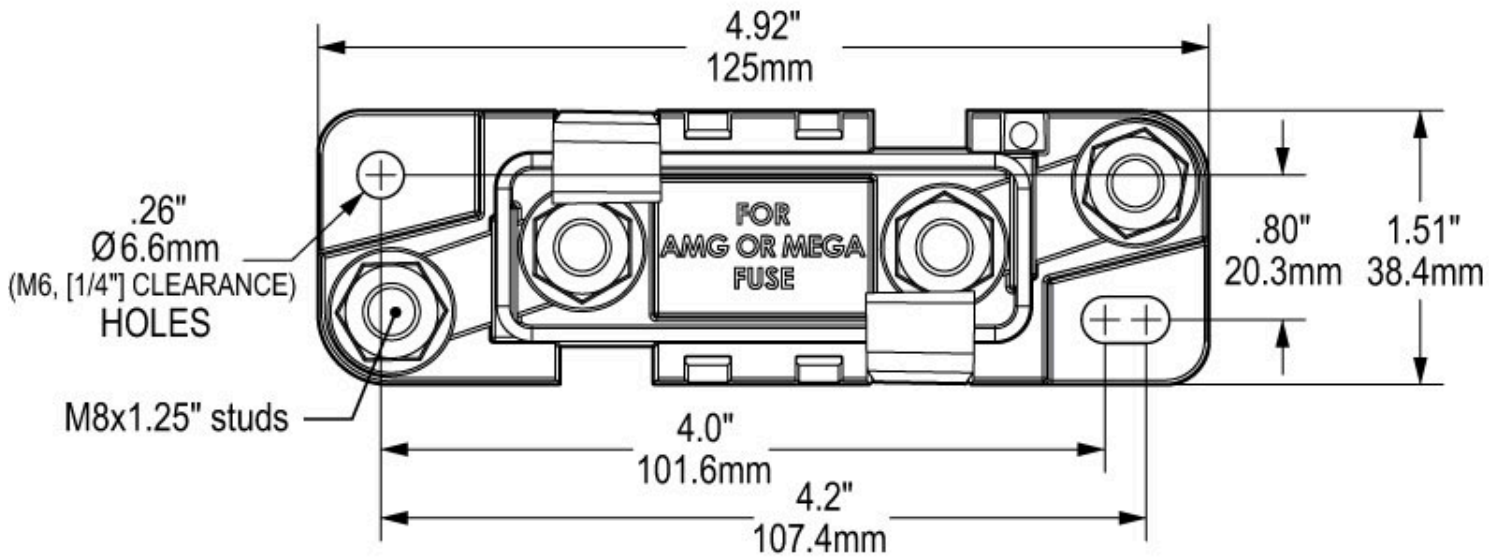
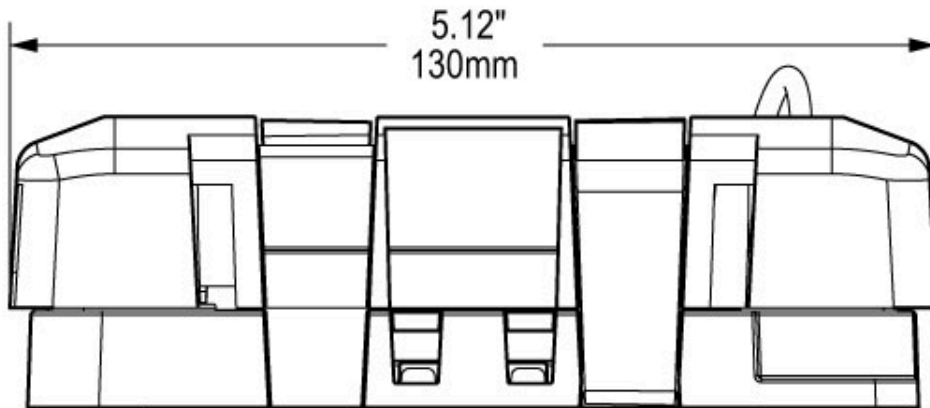


TOP VIEW BASE WITHOUT COVER



TOP VIEW BASE WITHOUT COVER



COVER FRONT VIEW