

Portable Solar Panel

Maximum Power Output

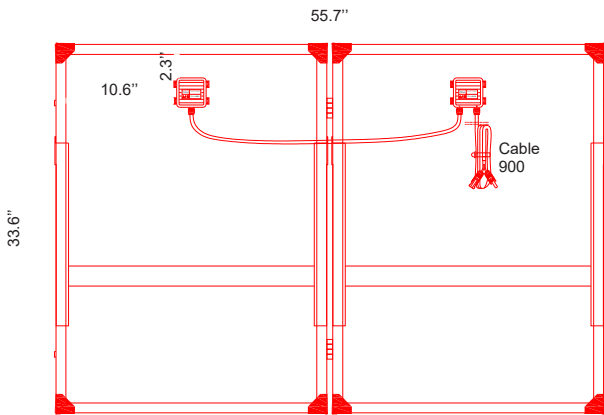
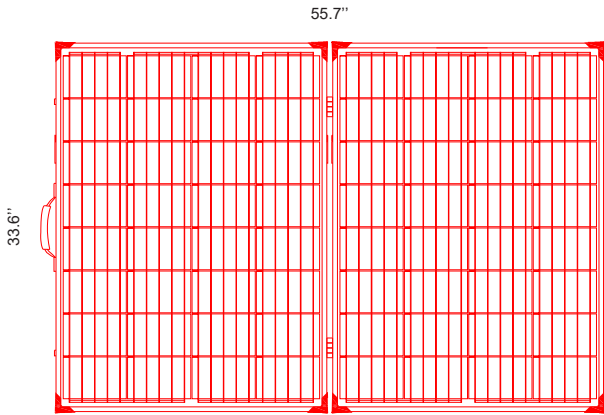
Monocrystalline Module

Positive Power Tolerance

Maximum Efficiency



Peak Power Watts-PMAX (Wp)	200 W
Power Output Tolerance-PMAX (W)	±5% W
Maximum Power Voltage-VMPP (V)	18.6 V
Maximum Power Current-IMPP (A)	10.8 A
Open Circuit Voltage-VOC (V)	22.8 V
Short Circuit Current-ISC (A)	11.2 A
Module Efficiency η m (%)	18.4 %
STC: Irradiance 1000 W/m ² , Cell Temperature 25 °C, Air Mass AM = 1.5	



Solar Cells	Monocrystalline 158.75 × 158.75 mm (6 inches)
Module Dimensions (Unfolded)	55.7 × 36.6 × 1.4 inches (1415 × 930 × 35 mm)
Module Dimensions (Folded)	28.5 × 36.6 × 2.8 inches (724 × 930 × 70 mm)
Cell Orientation	64 cells (8 × 8)
Weight	36.8 lb (16.7 kg)
Glass	3.2 mm (0.13 inches), High Transmission, AR Coated Tempered Glass
Backsheet	Black
Connector	MC4
Frame	Anodized Aluminium Alloy
Junction Box	IP 65
Cables	Photovoltaic Technology Cable 2.5 mm ² (#12 gauge), 35 inches (900 mm) Length

Nominal Operating Cell Temperature (NOCT)	45°C (±2°C)
Temperature Coefficient of P _{MAX}	-0.39%/°C
Temperature Coefficient of VOC	-0.29%/°C
Temperature Coefficient of ISC	0.05%/°C

