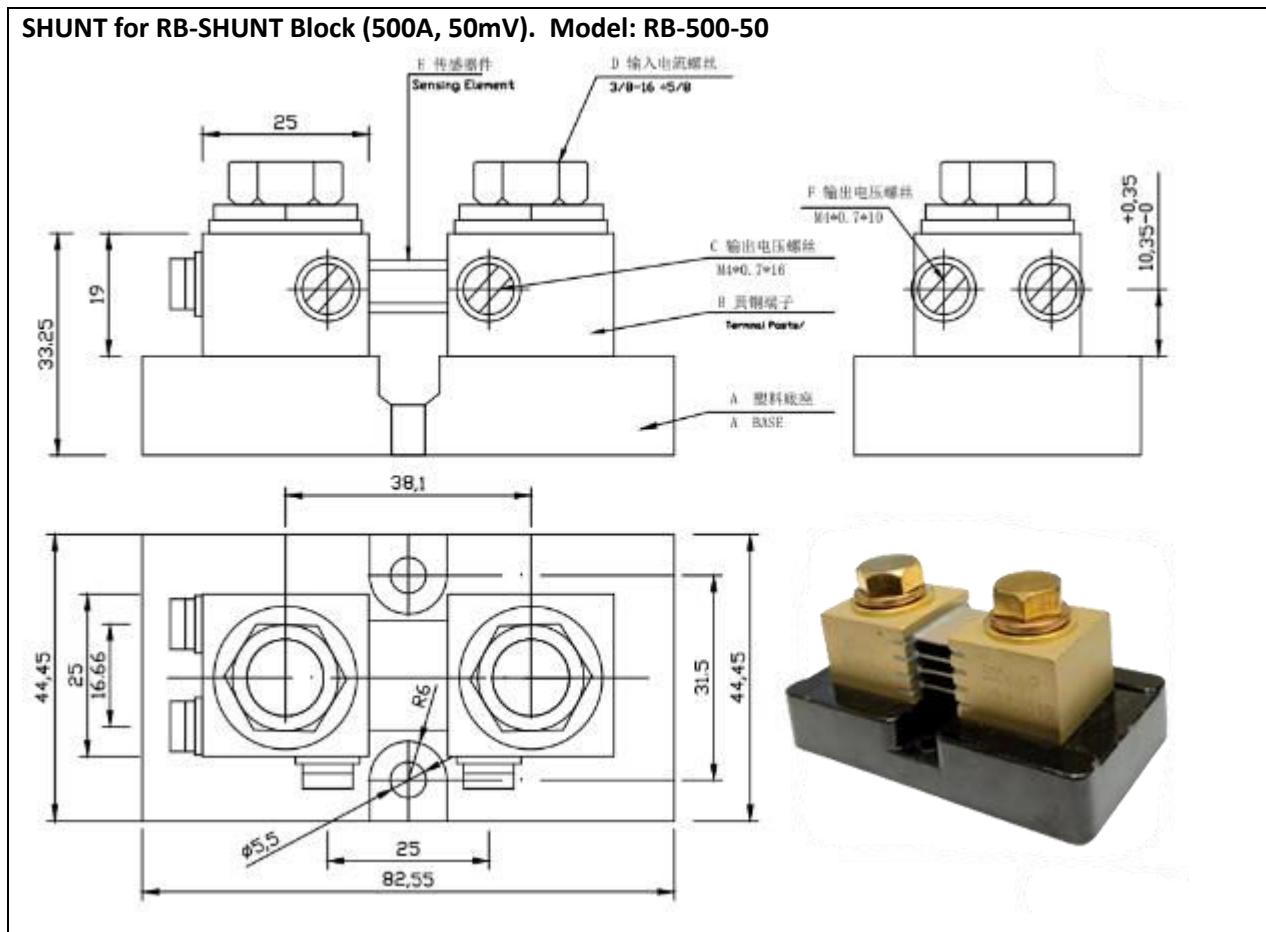


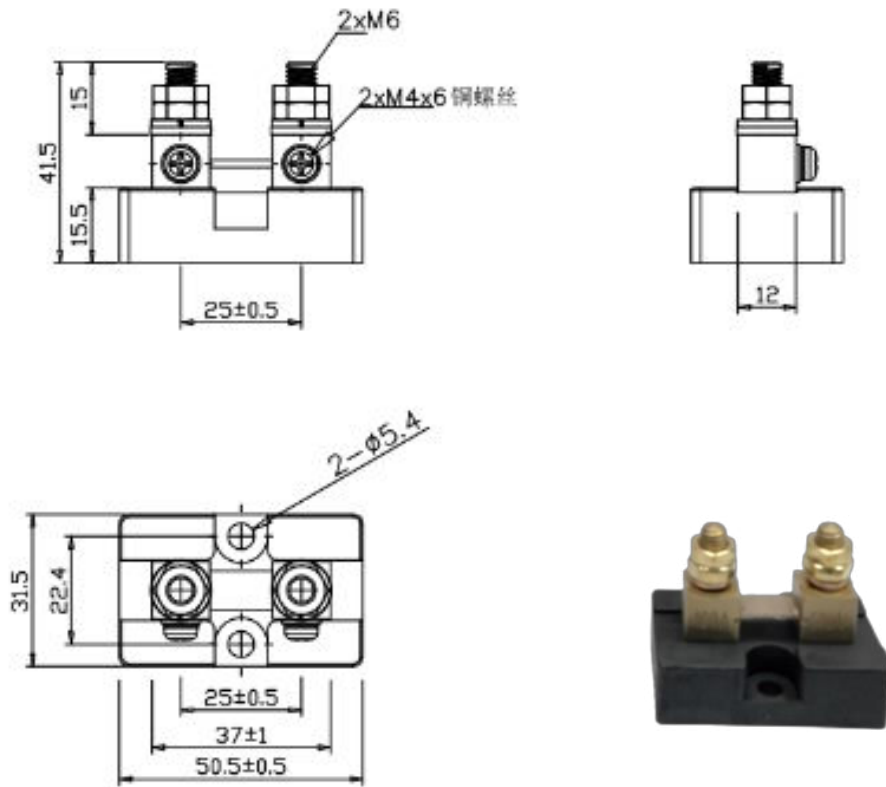
Shunts for Morningstar's ReadyShunt Block

Morningstar's 500A, 100A, or 50A Shunts connect to Morningstar's ReadyShunt which can be inserted on any Morningstar products equipped with a ReadyRail to enable battery metering/monitoring, key metrics including lead-acid state of charge (SOC), energy in/out (amp hours), and current measurement for system sources and loads.

Read the Wiring Section of Morningstar's [ReadyShunt Operation Manual](#) for instructions on how to properly connect your Shunt for a negative or positive leg system. Below are mechanical dimensions for each of the Shunts:



SHUNT for RB-SHUNT Block (100A, 50mV). Model: RB-100-50



SHUNT for RB-SHUNT Block (50A, 50mV). Model: RB-50-50

