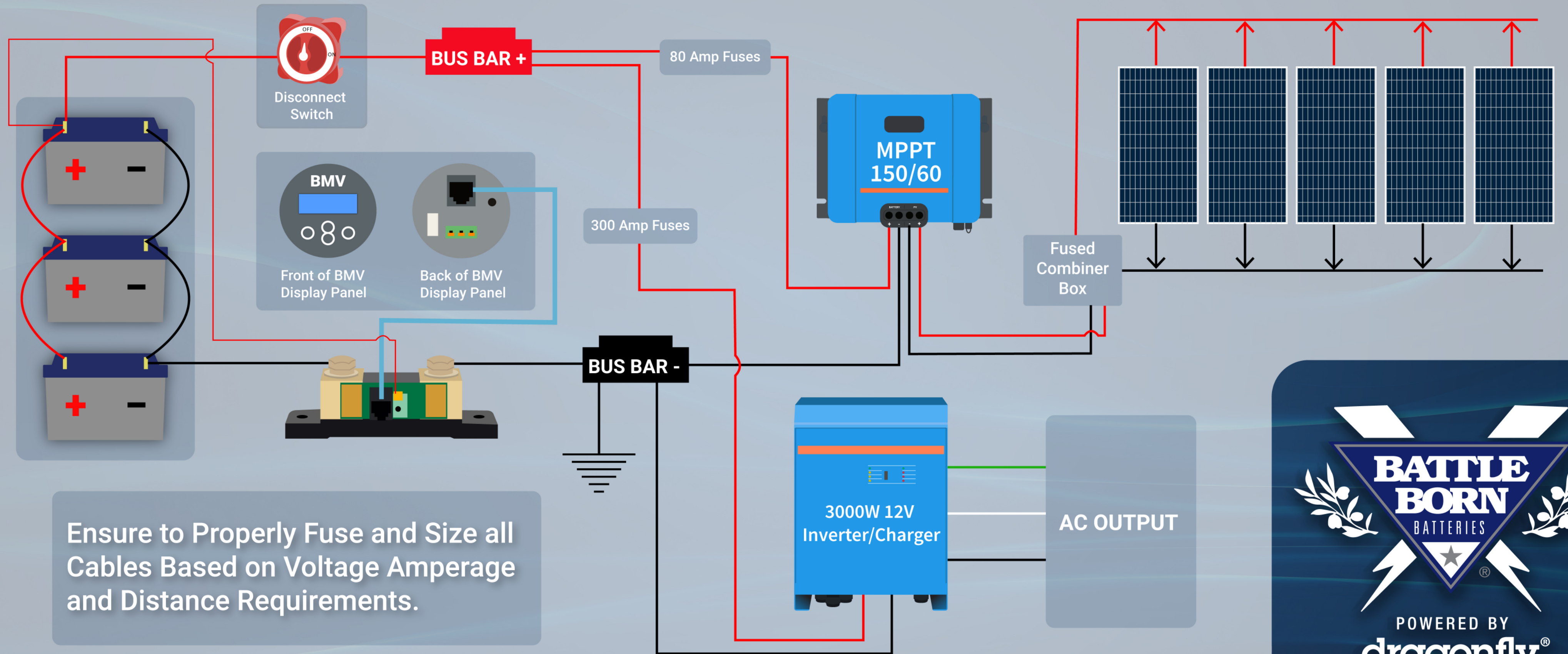


# HOW TO WIRE A BATTERY MONITOR INTO YOUR SYSTEM



Ensure to Properly Fuse and Size all Cables Based on Voltage Amperage and Distance Requirements.

