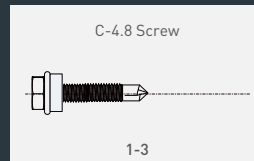
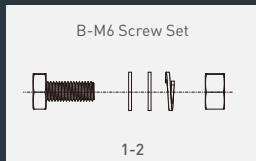
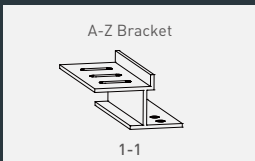


# NPB-UZ Universal Flat Mount Bracket kit

NPB-UZ Fixed mounting kit comes in wider unibody frame, which can hold the 10W-200W better. It is also compatible with most non Newpowa branded solar modules.

## SPECIFICATIONS

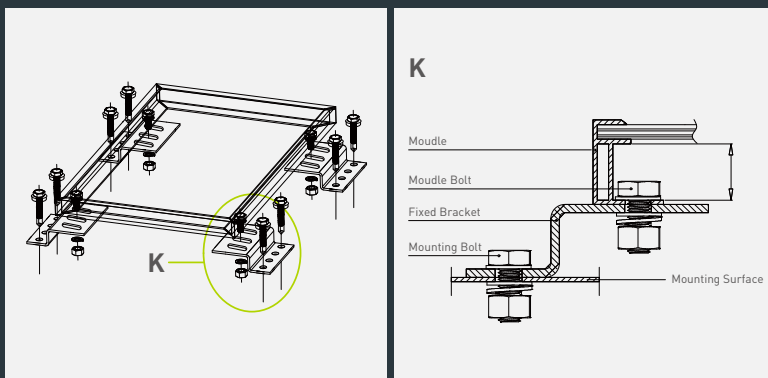
Mounting Type	Universal Flat Mount
Module Type	Universal, works with most panel brands and types
Number of Modules	Mounts 1 Panel
Setting Angle	Fixed
Wind Load	Designed to withstand wind speeds of 90mph
Snow Loading	1.1kN/m <sup>2</sup>
Warranty	1 Year



## KIT COMPONENTS

Diagram	Component	Material	Surface Treatment	Quantity	Dimensions
1-1	Fixed Bracket	Aluminum	N/A	4	A-Z Bracket=3.54×2.42×1.46in
1-2	Module Bolt	Stainless Steel	N/A	4	B-M6 Screw Set=6×16in
1-3	Mounting Bolt	Stainless Steel	N/A	8	C-4.8 Screw=4.8×32in

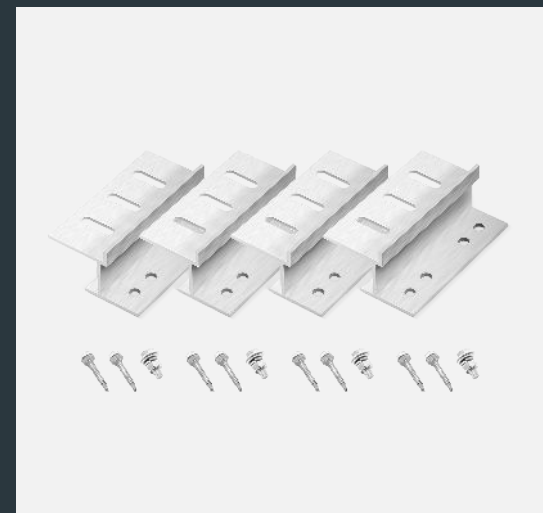
## MOUNTING DIAGRAM



### Note:

When using this kit with another brand of panel, you may need to change the module bolts (1-2) to suit the mounting holes on the panel.

\*For panels larger than 160W, we recommend using 2 sets per panel.



702-628-7600



sales@newpowa.com



www.newpowa.com



3633 Inland Empire Blvd, Ste 600, Ontario, CA 91764