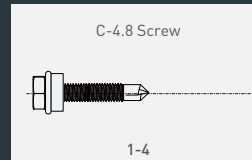
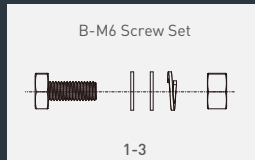
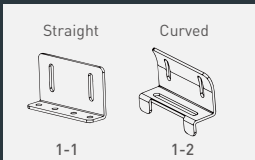


NPB-UV Adjustable Curved Bracket Mount

This model can support a single Newpowa solar panel unit up to 210W (note that the bracket can be used with other solar brand products, please double check the specifications to ensure the compatibility)

SPECIFICATIONS

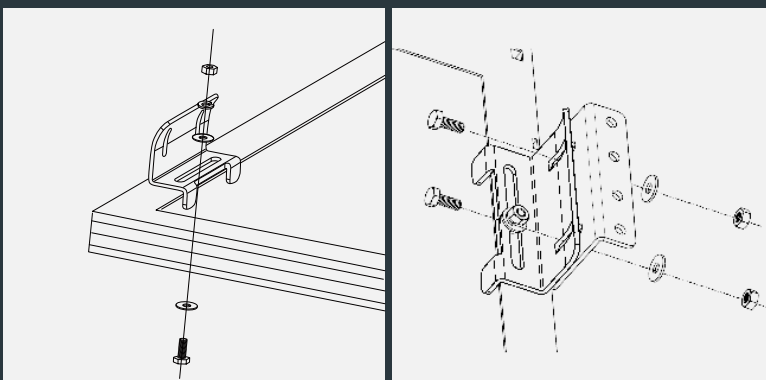
Mounting Type	Adjustable Curved Bracket Mount
Module Type	Universal, works with most panel brands and types
Number of Modules	Mounts 1 Panel
Setting Angle	Fixed
Wind Load	Designed to withstand wind speeds of 90mph
Snow Loading	1.1kN/m ²
Warranty	1 Year



KIT COMPONENTS

Diagram	Component	Material	Surface Treatment	Quantity	Dimensions
1-1	Fixed Bracket	Aluminum	N/A	4	Fixed Bracket=35.43×22.83×11.02 in
1-2	Fixed Bracket	Aluminum	N/A	4	Fixed Bracket=35.43×25.20×11.81 in
1-3	Mounting Bolt	Stainless Steel	N/A	12	B-M6 Screw Set=6×16mm
1-4	Mounting Bolt	Stainless Steel	N/A	8	C-4.8 Screw=4.8×32mm

MOUNTING DIAGRAM



Note:

Solar panels may locate the mounting holes differently based on the models. Please adjust the bracket accordingly and ensure the weight of the panel is evenly distributed.



702-628-7600



sales@newpowa.com



www.newpowa.com



3633 Inland Empire Blvd, Ste 600, Ontario, CA 91764