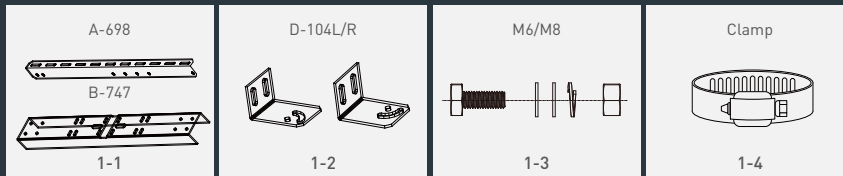


# NPB-100P Double Arm Side of Pole/Wall Mount

Thank you for purchasing Newpowa products. NPB-100P mounting kits are designed for one 60W-100W solar panel at an tilt angle from 0°- 90°

## SPECIFICATIONS

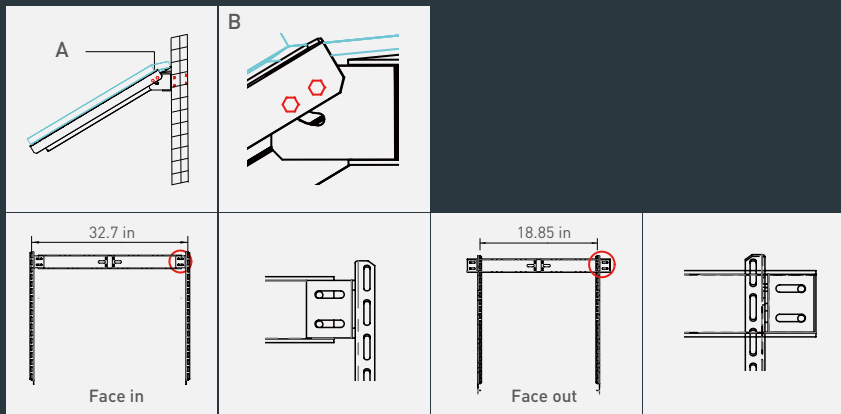
Mounting Type	Double Arm Side of Pole/Wall Mount
Module Type	Specifically designed to work with Newpowa 60W-100W Solar panels, but can be adapted for use with other panels
Number of Modules	Mounts 1 Panel
Setting Angle	0°-90°
Wind Load	Designed to withstand wind speeds of 90mph
Snow Loading	1.1kN/m <sup>2</sup>
Warranty	1 Year



## KIT COMPONENTS

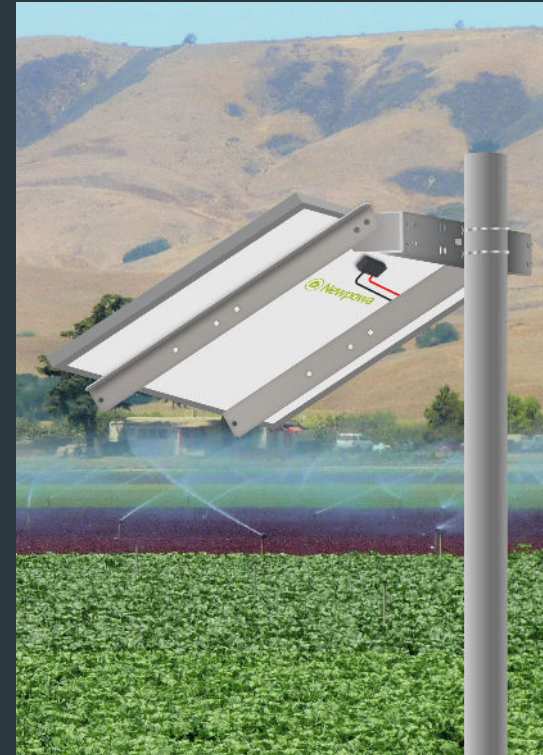
Diagram	Component	Material	Surface Treatment	Quantity	Dimensions
1-1	Fixed Bracket	Aluminum Alloy	N/A	2/1	A-698=27.5×1.97×1.1in, B-747=29.4×3.3×1.9in
1-2	Tilt Arm	Aluminum Alloy	N/A	1/1	D104L/R=4.1×3×2.5in
1-3	Module Bolt Mounting Bolt	Stainless Steel	N/A	4/8	M6=6×20mm, M8=8×20mm
1-4	Clamp	Stainless Steel	N/A	2	Clamp=1×7/8×5in

## MOUNTING DIAGRAM



Note:

When using this kit with another brand of panel you may need to change the module bolts to suit the mounting holes on the panel. M8 & M6 bolts are provided with this kit for your preference.



702-628-7600



sales@newpowa.com



www.newpowa.com



3633 Inland Empire Blvd, Ste 600, Ontario, CA 91764