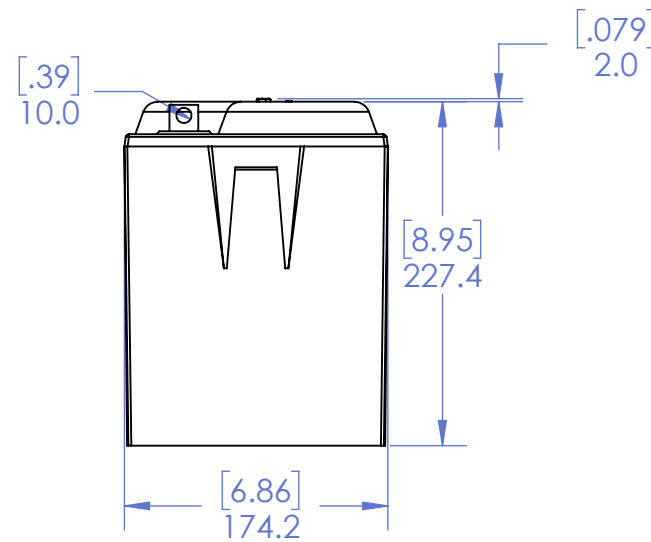
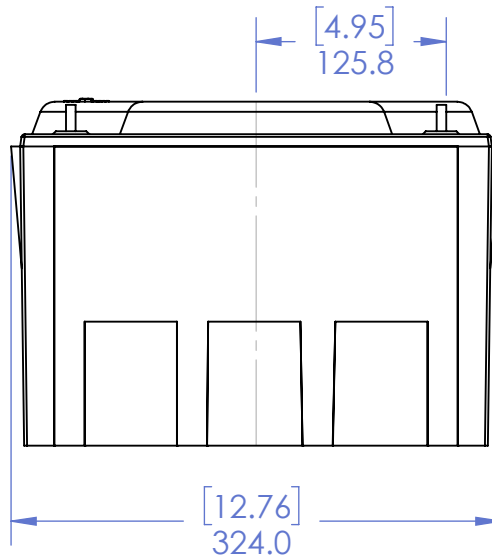
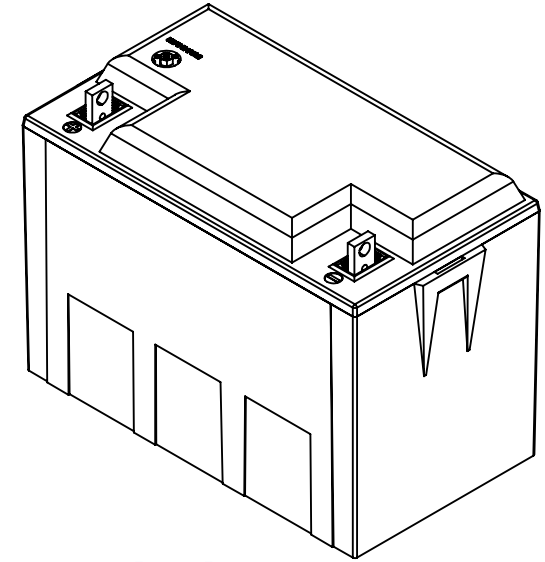
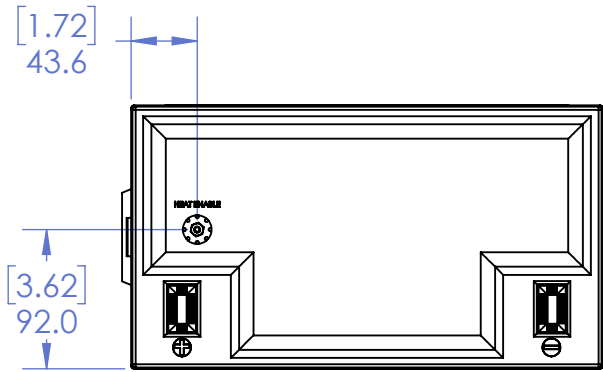


2

1

REVISIONS				
ZONE	REV.	DESCRIPTION	DATE	APPROVED
	A	INITIAL RELEASE	10/15/2019	



**PROPRIETARY AND CONFIDENTIAL**  
 THE INFORMATION CONTAINED IN THIS  
 DRAWING IS THE SOLE PROPERTY OF  
 DRAGONFLY ENERGY INC.. ANY  
 REPRODUCTION IN PART OR AS A WHOLE  
 WITHOUT THE WRITTEN PERMISSION OF  
 DRAGONFLY ENERGY INC IS  
 PROHIBITED.

MATERIAL:  
N/A  
 FINISH:  
N/A

DIMENSIONS ARE IN: INCHES  
 TOLERANCES:  
 0.X: ±N/A  
 0.XX: ±N/A  
 0.XXX: ±N/A  
 ANGULAR: ±N/A°



**DRAGONFLY ENERGY INC.**  
 PART NUMBER: BB10012H  
 SIZE A DRAWN PS CHECKED DATE 10/22/2020 REV A  
 SCALE: 1:5 SHEET 1 OF 1

2

1